

Point Digit II - Product Size Exchange Form

Original PO#

Please include this form with the product(s) to be exchanged and send to:

Point Designs
1216 Commerce Ct, Ste 3
Lafayette, CO 80026

Clinic

Clinic Name

Clinician's Name

Email

Phone

Shipping

Street Address / P.O. Box

City, State

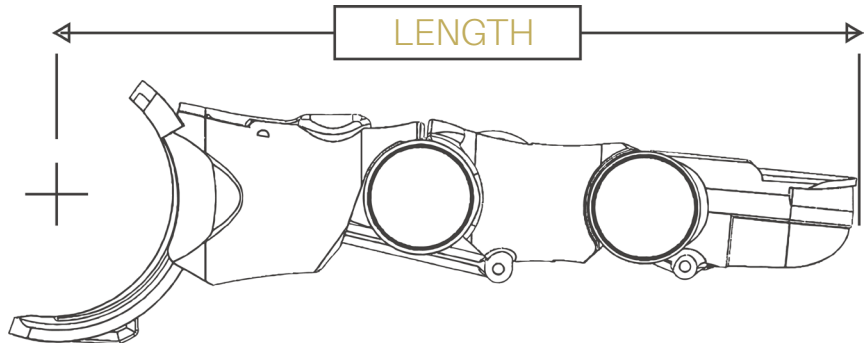
ZIP code

Product Exchange Table

	Product Name	Length included to be exchanged	New Length (see table for standard sizes)
Item #1			
Item #2			
Item #3			
Item #4			

Sizing Table

Length	Part Number
80 mm	PNTDG2-080-G/P
85 mm	PNTDG2-085-G/P
90 mm	PNTDG2-090-G/P
95 mm	PNTDG2-095-G/P
100 mm	PNTDG2-100-G/P
105 mm	PNTDG2-105-G/P



Original product must be in like-new condition. Condition of digits will be assessed upon return, and additional costs may be charged for damaged/used products.